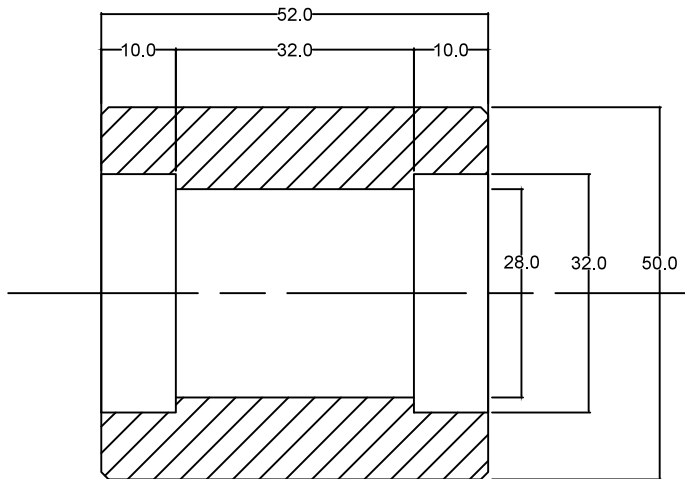
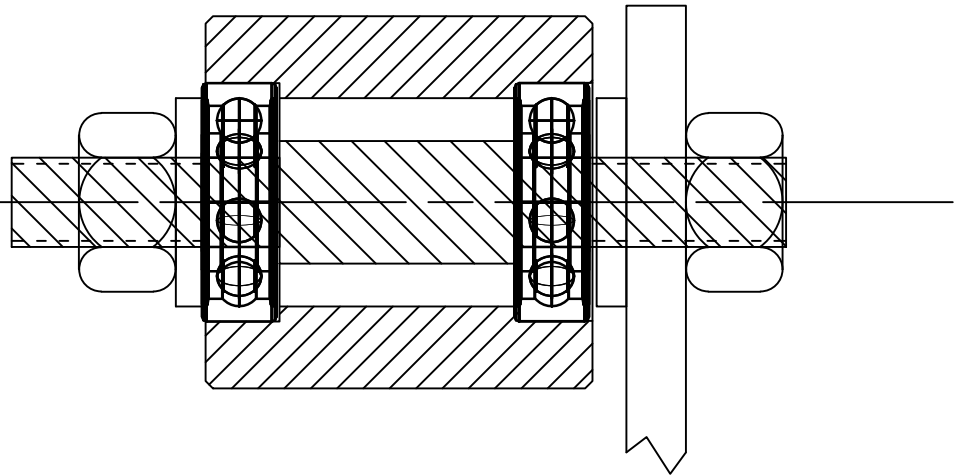


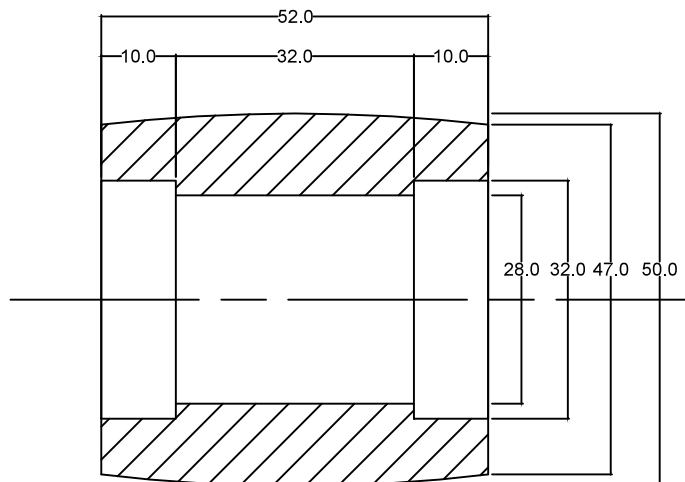
2x platenroll



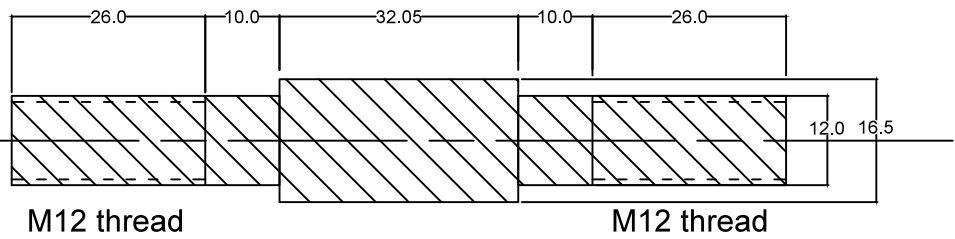
Wheel assembly
bearings type 6201Z



1x steering roll



3x shaft



Wheels for belt grinder BG 272 (DC knives) Metric version
Material wheels: Aluminium, material shaft: steel
drawn: 10-08-2015 KL
Scale 1:1 version1.1